

6

5

4

3

2

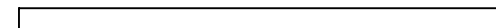
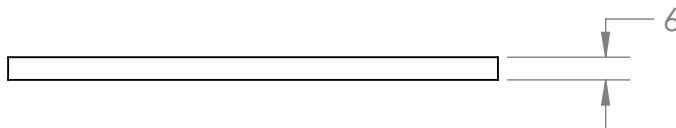
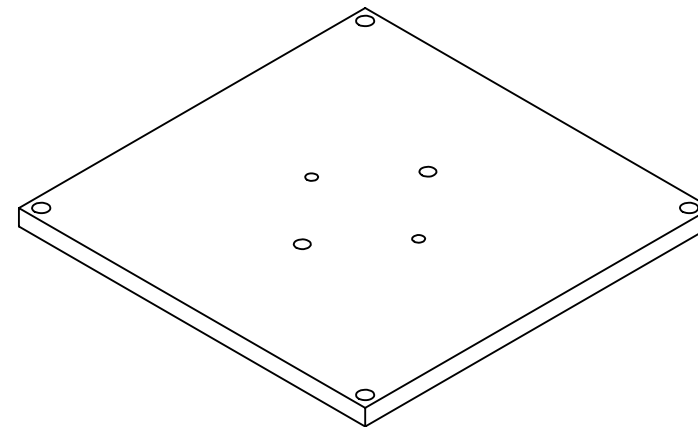
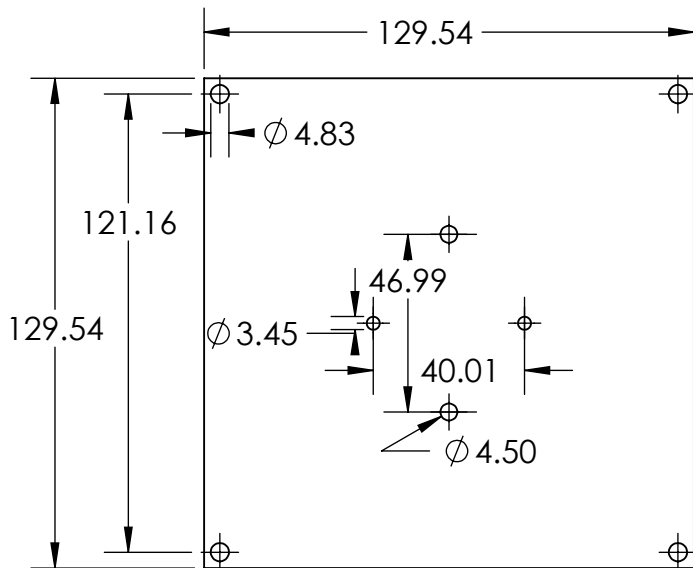
1

D

C

B

A



UNLESS OTHERWISE SPECIFIED: DIMENSIONS ARE IN MILLIMETERS SURFACE FINISH: TOLERANCES: LINEAR: ANGULAR:				FINISH:		DEBURR AND BREAK SHARP EDGES		DO NOT SCALE DRAWING		REVISION	
DRAWN				NAME		SIGNATURE		DATE		TITLE:	
CHK'D											
APPV'D											
MFG											
Q.A								MATERIAL:		DWG. NO.	
										A4	
								WEIGHT:		SCALE:1:2	
										SHEET 1 OF 1	

# RotatingPlaneMount

6

5

4

3

2

1