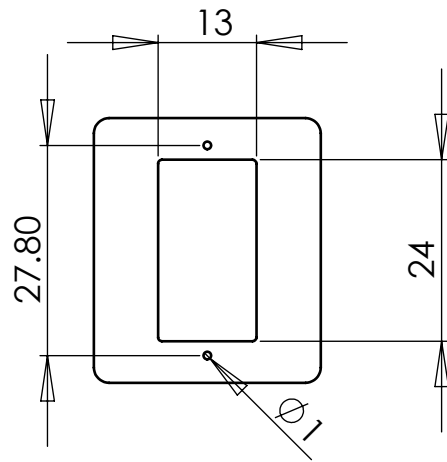
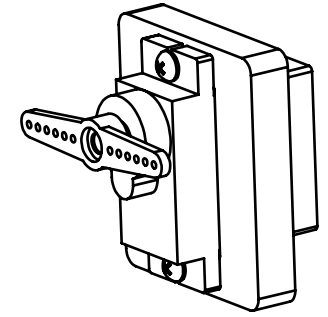
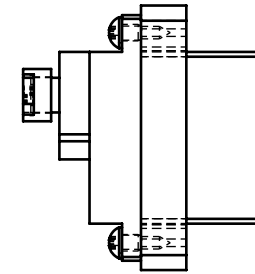
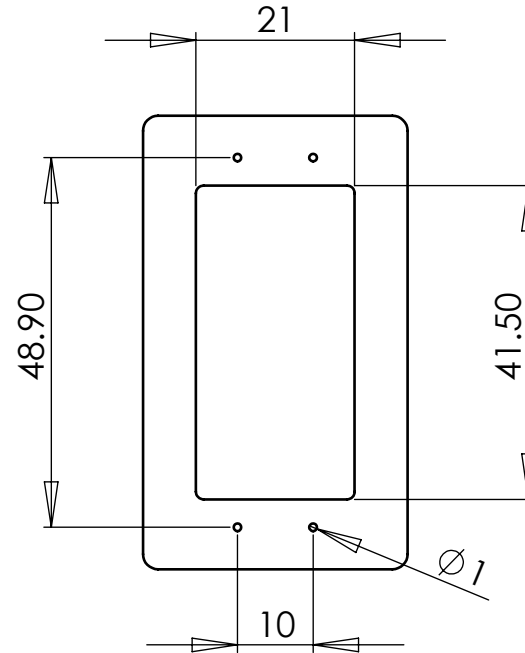


The only recommend way to mount hobby servos is to use screws to clamp the mounting flanges against a flat surface. Hobby servos should never be glued in place.



Mounting pattern for a 9G Micro Hobby Servo. The body fits through the rectangular opening. The holes are undersized pilot holes for the wood screws provided with the servo.



Mounting pattern for a LKY62 Hobby Servo. The body fits through the rectangular opening. The holes are undersized pilot holes for the wood screws provided with the servo.

Laser-cut plywood parts cut as drawn. With kerf all outside dimensions will be about 0.2 mm smaller, all inside dimensions will be about 0.2 mm larger.

Hobby Servo Mounting		
Garth Zeglin, garthz@cmu.edu		
Material: 6 mm plywood		
Units: millimeters		
Scale: 1:1	Date: 5/14/2026	Sheet 1 of 1